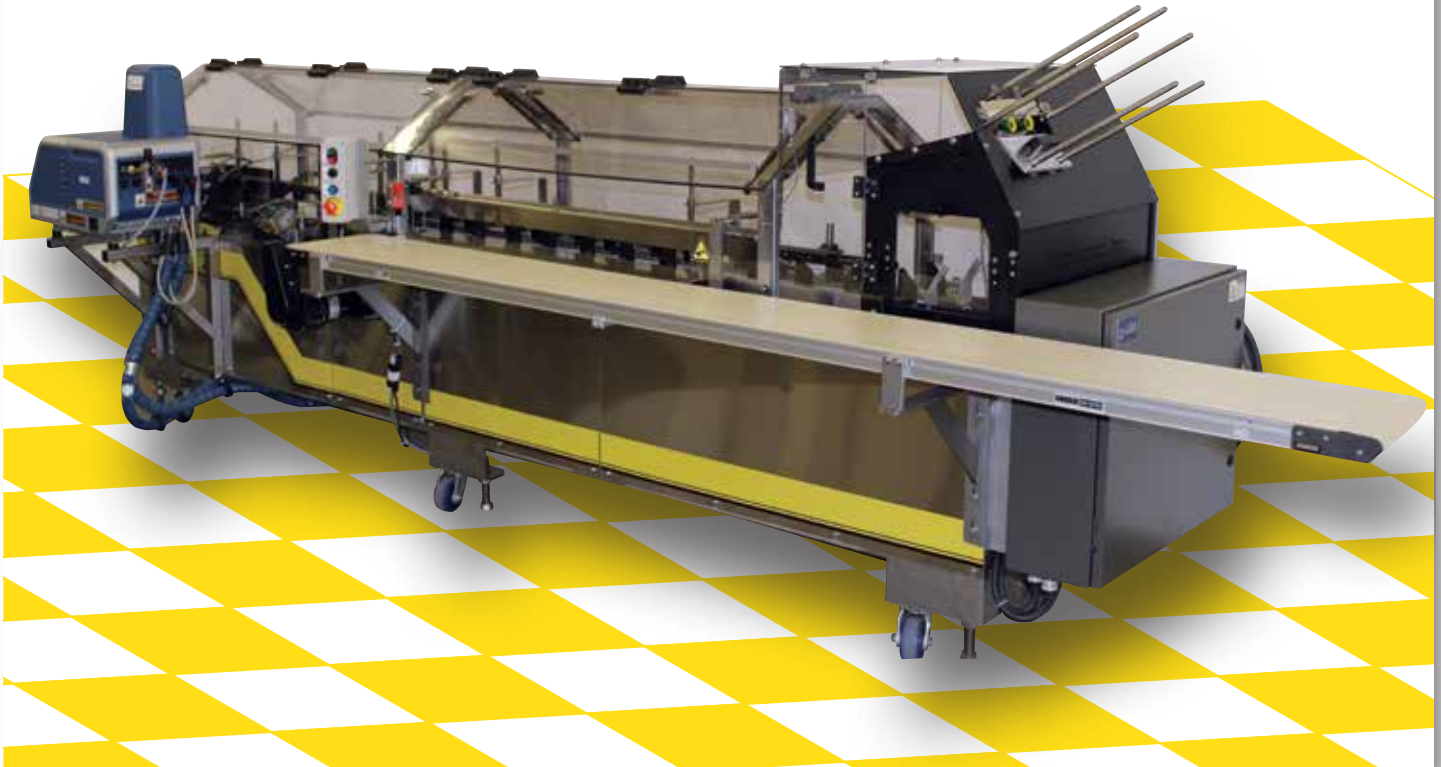


ECONOSEAL[®]

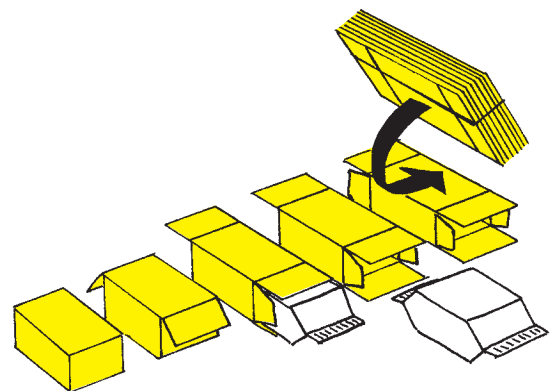
ECONO-60

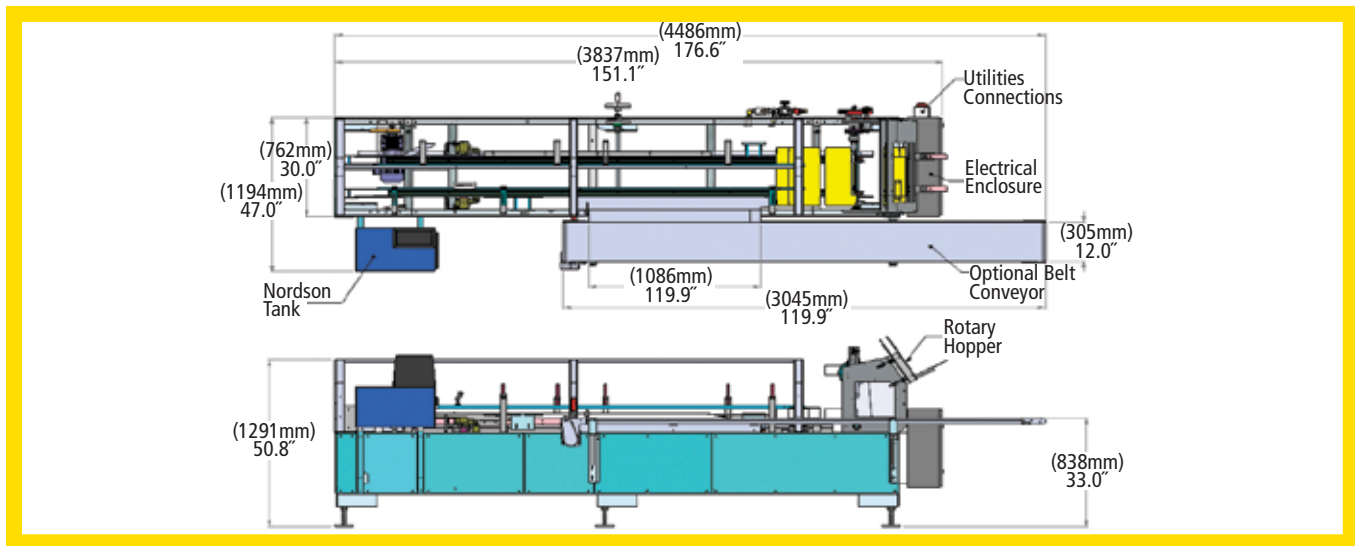
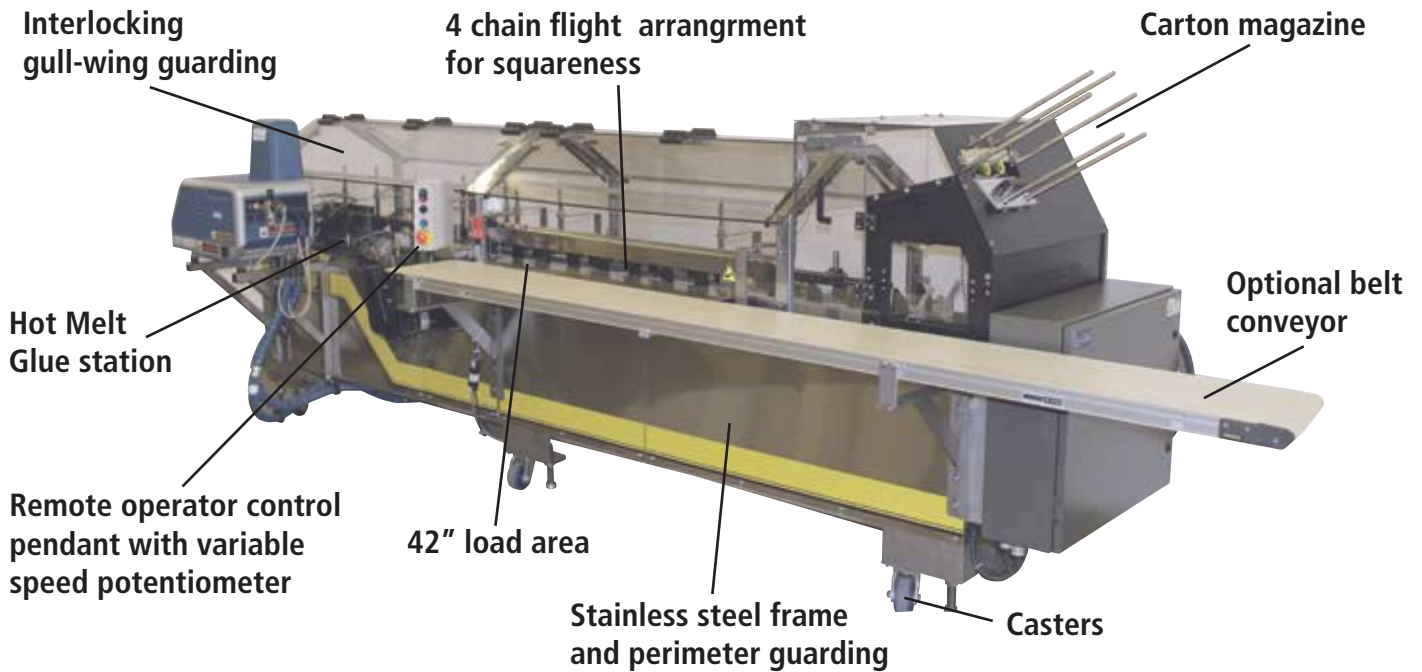


Rugged Mechanical Continuous Motion Cartoner

Features

- Compact Design
- Variable Speed Continuous Motion
- 42" load area (1066 mm)
- 3600 CPH (depending on carton style, size and other factors)
- Sanitary construction (essentially stainless steel)
- Quick and simple carton size changeover





ECONO-60 ENGINEERING DETAILS

Size Range:	(Carton Size) Min 1 x 3/4 x 4" (25 x 19 x 102mm) Max 8 x 3 x 12" (203 x 76 x 305mm)	Electrical: 220 volts, 50/60 Hz, Single Phase
Speed:	Up to 60 cartons/minute depending on Carton size, style and other factors	Air: 80 psi (5,5 bar) Volume consumption approximately .5 CFM 3 SCFM (12 Liters/min)
		Shipping: 2400 lbs (1100 kg) (not including options)

All dimensions are approximate and subject to change.
Machines can be quoted to handle cartons outside of range listed above upon request.



72 Pacella Park Drive, Randolph, MA 02368
Telephone: +1 (781) 986-7500 Fax: +1 (781) 986-1553
www.econocorp.com e-mail: info@econocorp.com

